



Hazloc Heaters™

Safe heat when you need it!



EX SERIES
Caliber™

For heating or cooling applications

BTX1-E-A

Bi-metal Explosion-Proof Room Thermostat For Hazardous Locations

CE 0518 Ex II 2G Ex db IIB+H₂ T6 Gb (ATEX)

Ex db IIB+H₂ T6 Gb (IECEX)

1ExdIIBT6 /H₂ (EAC Ex)

-50°C ≤ T amb ≤ +40°C, IP65

(Gas Atmosphere Certified for ATEX / IECEX / EAC Ex Zone 1 and 2)

CE 0518 Ex II 2D Ex tb IIIC T85°C Db (ATEX)

Ex tb IIIC T85°C Db (IECEX)

Ex tb IIIC T85°C Db X (EAC Ex)

-50°C ≤ T amb ≤ +40°C, IP65

(Dust Atmosphere Certified for ATEX / IECEX / EAC Ex Zone 21 and 22)

www.HazlocHeaters.com

For hazardous-location air temperature control rely on the **Hazloc Heaters™ BTX1 ExCaliber™** series of bi-metal explosion-proof thermostats for the most dependable, accurate, robust and trouble-free service available.

Features & benefits include:

- Bolted, removable cover provides instant access for installation and servicing.
- Dial locking screw prevents unwanted adjustments.
- Phenolic thermal-break standoffs between knob & base prevents heat creep.
- IP65 rating for moisture/dust protection.
- Aluminum housing with no exposed copper or brass provides suitability for H₂S environments
- CFC & mercury free, no leveling required.
- Fast-acting, accurate, bi-metal sensing plate is unaffected by altitude.
- Two (3/4" NPT) openings for easy field wiring (includes one 3/4" plug).
- Field wiring from either vertical or horizontal orientation for flexibility of install.
- Can be used to directly control small HP motors and resistive loads.
- Third party impact tested for ensured durability.

Typical Applications:

- Heaters, exhaust fans & air conditioners

Protection Method:

- ATEX/IECEX:
 - General requirements IEC/EN 60079-0
 - Flameproof IEC/EN 60079-1
 - Dust ignition proof IEC/EN 60079-31
- EAC Ex:
 - Hazardous location TR CU 012/2011
 - EMC TR CU 020/2011
- Ingress protection: IEC 60529



Dial locking screw



Specifications: (SPDT for heating or cooling applications)

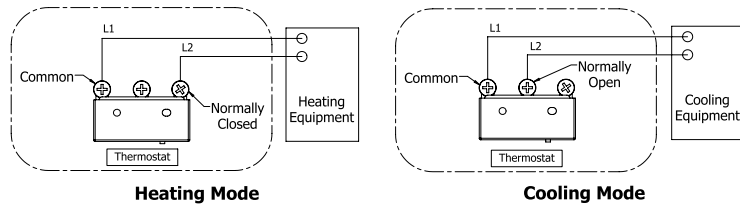
Temperature adjustment range: 5°C to 25°C (40°F to 80°F)
 Temperature differential: +/- 1°C from set point
 Operating limits: -50°C ≤ T amb ≤ +40°C
 Storage limits: -50°C to +60°C
 Switching: Snap acting
 Field wiring openings: Two 3/4" NPT (includes one 3/4" plug)
 IP rating: IP65
 Net weight: 1.5 Kg
 Ship weight: 1.6 Kg
 Shipping dimensions: 12.7 cm x 12.7 cm x 15.2 cm

Electrical rating: (voltage-free contacts)

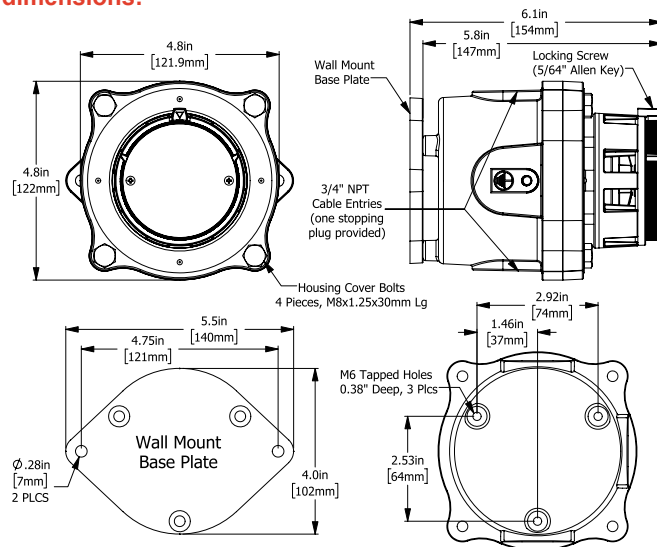
22 Amps Res., 480VAC Max., 50/60Hz; 1/2HP @ 125VAC; 1HP @ 250VAC

Model: BTX1-E-A

Wiring diagram:



Physical dimensions:



Limited 36-Month Warranty

Hazloc Heaters™ warrants all **BTX1 ExCaliber™** series of bi-metal explosion-proof thermostats against defects in materials and workmanship under normal conditions of use for a period of thirty-six (36) months from date of purchase based on the following terms:

1. The thermostat must not be modified in any way.
2. The thermostat must be stored, installed and used only in accordance with the owner's manual and attached data plate information.
3. The complete thermostat may be returned to our manufacturing plant for repair or replacement (at our discretion), freight charges prepaid.
4. Contamination by dirt, dust, etc. or corrosion will not be considered as defects.
5. This warranty shall be limited to the actual equipment involved and, under no circumstances, shall include or extend to installation or removal costs, or to consequential damages or losses.



#1, 666 Goddard Ave. NE
 Calgary, Alberta T2K 5X3 Canada
 Tel.: +1-403-730-2488
 Fax: +1-403-730-2482
 Customer Toll Free (U.S. & Canada):
 +1-866-701-Heat (4328)
 www.HazlocHeaters.com

Hazloc Heaters is a trademark of Hazloc Heaters Inc. The information contained in this brochure has been carefully checked and verified for accuracy. Specifications subject to change without notice.

PRINTED IN CANADA
 © Copyright 2016
 Cat No. BTX1-E-201612-0-A4